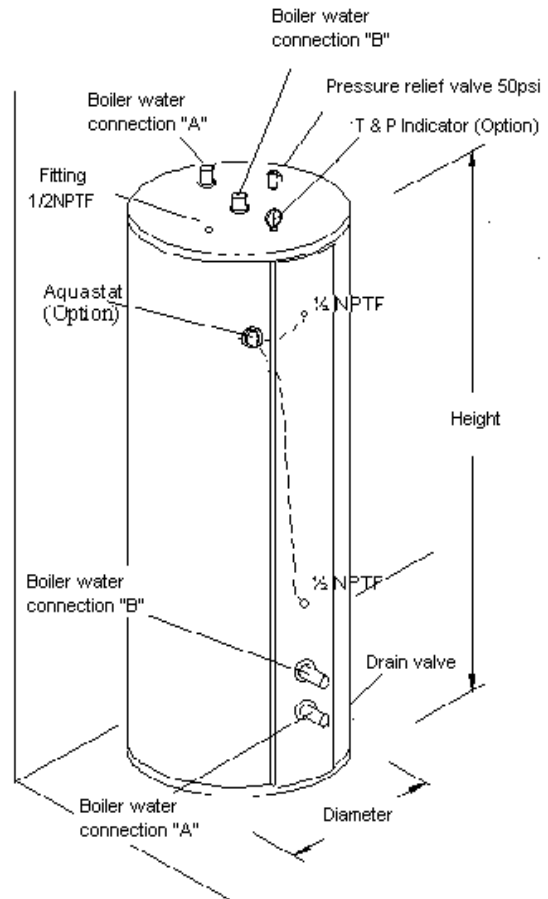




## Specifications

The thermal mass storage tank for boiler water shall be a RE model \_\_\_\_\_, as manufactured by THERMO 2000 Inc. The tank shall be made of high-carbon steel. All joints shall be arc-welded using the MIG/argon process. The tank shall undergo a 300 psi hydrostatic test. Maximum operating pressure for the tank shall be 150 psi. The tank shall be insulated with a glass fiber jacket limiting thermal loss to ½°F per hour. The external shell will be epoxy painted. The tank shall have three openings to house an air bleeder, a thermomanometer and a thermostat (aquastat) (dimensions : ½ NPTF). The air bleeder, thermomanometer and thermostat (aquastat) are not included (they are options). The tank must be equipped with a draining valve designed for a 150 psi operating pressure. The tank shall have three adjustable legs to enable leveling of the unit. The tank will be shipped with an ASME-approved safety relief valve set at 50 psi. The tank is covered by a 10 year warranty.



## TECHNICAL DATA

| Models | Content     | Boiler water connections |                | Total Height | Diameter | Weight  |
|--------|-------------|--------------------------|----------------|--------------|----------|---------|
|        |             | A                        | B              |              |          |         |
| RE 119 | 119 gal. US | 2 po NPT M               | 2 po NPT M     | 74"          | 29"      | 300 lbs |
| RE 72  | 72 gal. US  | 1 1/2 po NPT M           | 1 1/2 po NPT M | 67"          | 24"      | 150 lbs |
| RE 48  | 48 gal. US  | 1 1/4 po NPT M           | 1 1/2 po NPT M | 55"          | 22"      | 100 lbs |
| RE 36  | 36 gal. US  | 1 1/4 po NPT M           | 1 1/2 po NPT M | 65"          | 18"      | 95 lbs  |
| RE 26  | 26 gal. US  | 1 1/4 po NPT M           | 1 1/2 po NPT M | 49"          | 18"      | 75 lbs  |

**THERMO 2000 INC.**  
 500, 9<sup>e</sup> avenue, Richmond (Québec) Canada  
 JOB 2H0  
 Téléphone : 819.826.561  
 Fax : 819.826.6370  
 www.thermo2000.com